

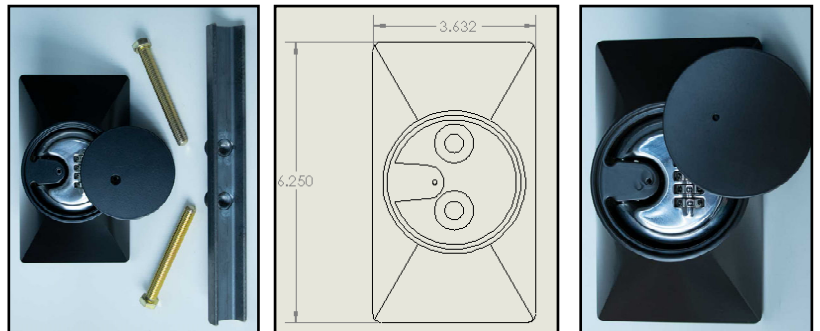
## LOCKING HAND HOLE COVER

### Construction:

- Clean/Streamlined Appearance
- Engineered to deflect impact during theft attempts
- High Grade Billet Aluminum Construction
- Eliminates unauthorized access
- High Quality Powder Coat Finish

### Notes:

- Includes 4 digit combination lock
- Universal fit for most 4" and 5" light poles
- Includes Grade 8 Bolts for Maximum Strength



**LPD45**

Max Hand Hole Height—5.95"  
 Max Hand Hole Width—3.3"  
 Body Depth—1.59"

### Ordering Information

Model	Finish	Options
<b>LPD45</b>	<b>BK1</b> Satin Black	N/A
	<b>BZ1</b> Bronze	
	<b>WH1</b> White	

**EXAMPLE: LPD45-BZ1**